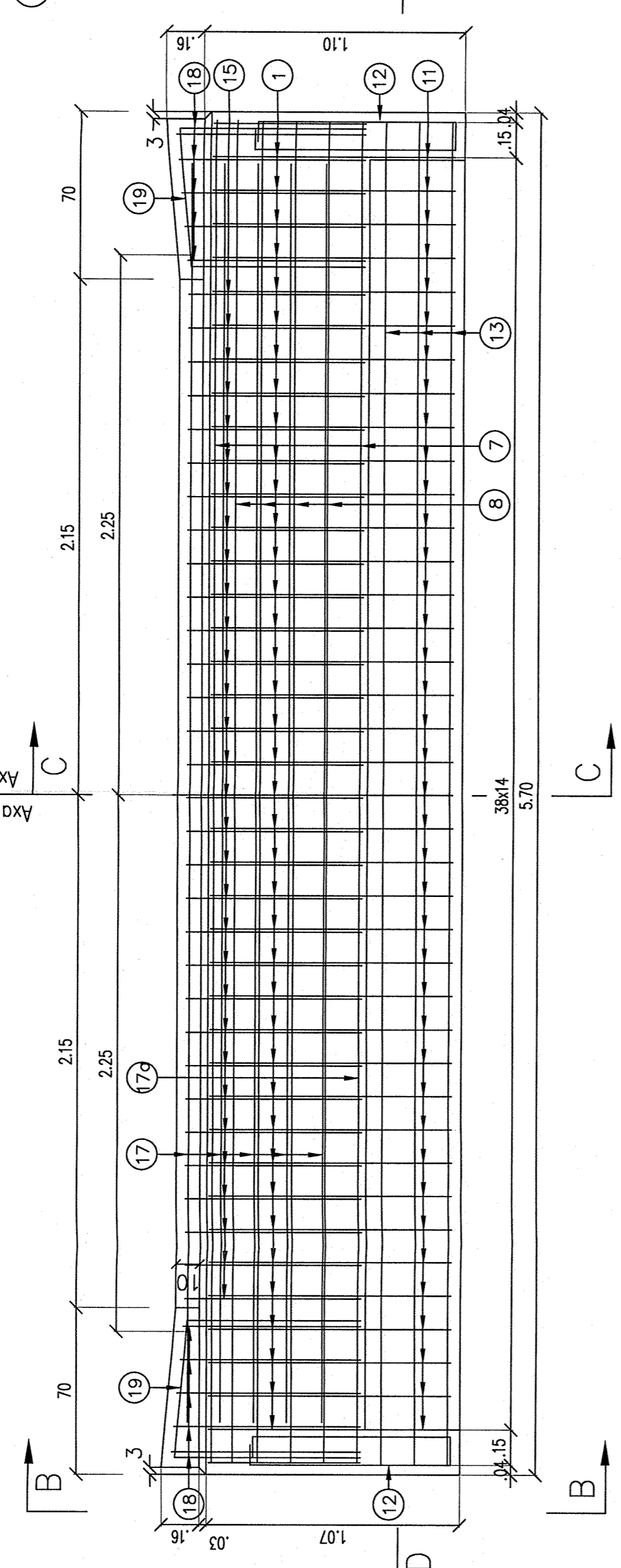
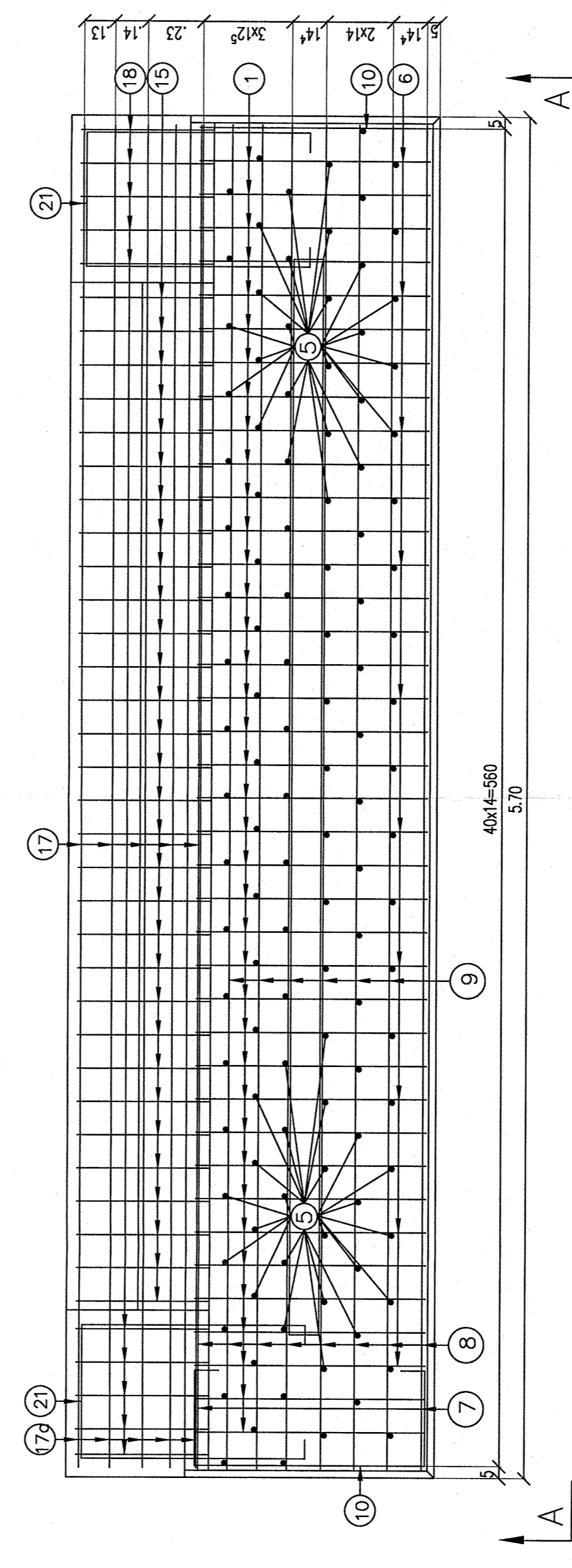


VEDERE A-A/
A-A VIEW
Sc 1:25

Axa culee (Axis abutment)
Axa c. (Railway axis)

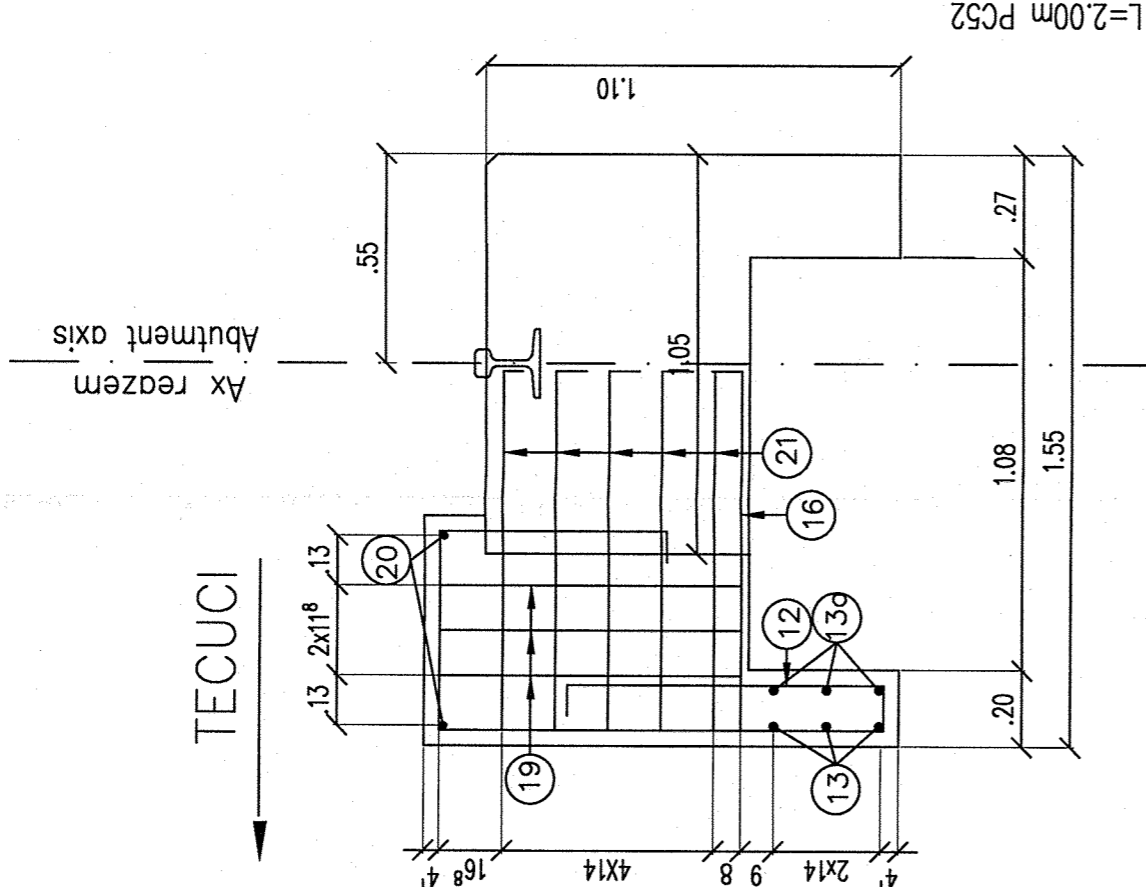


VEDERE IN PLAN
PLAN VIEW
Sc 1:25

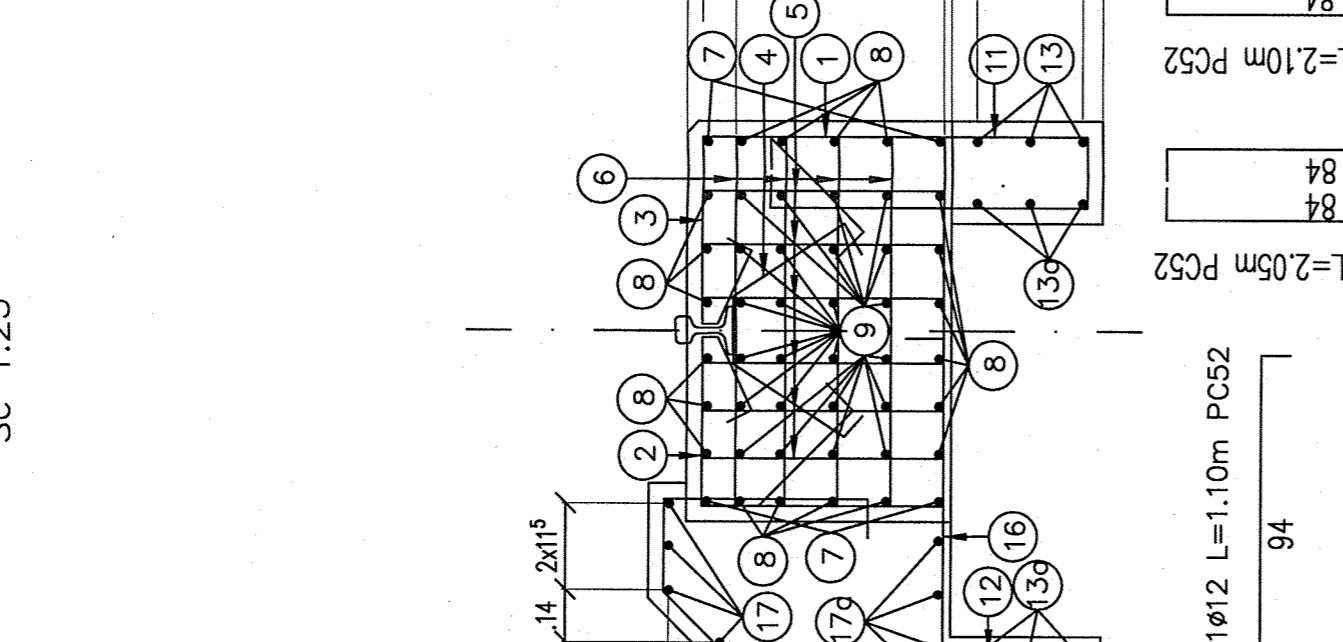


SECTIUNE B-B/
B-B SECTION
Sc 1:25

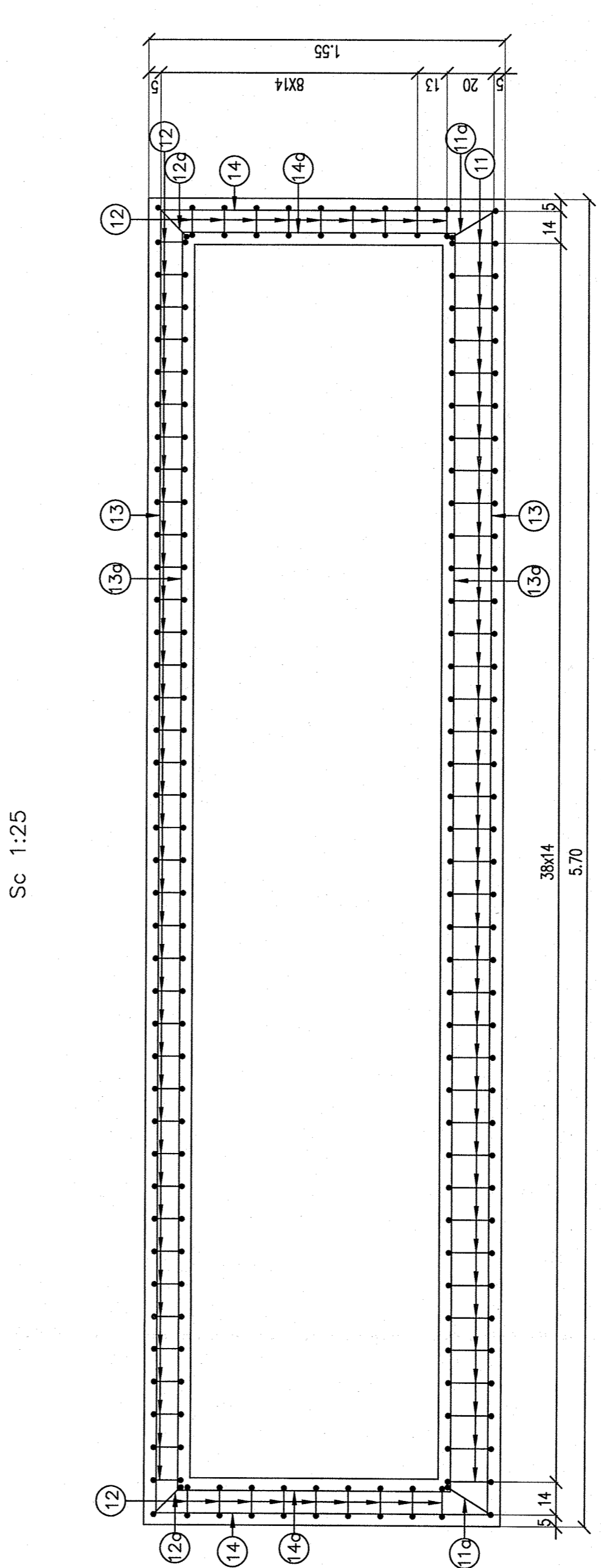
Axa reazem
Abutment axis



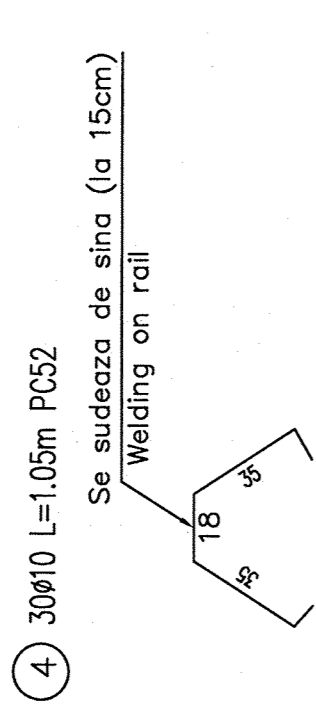
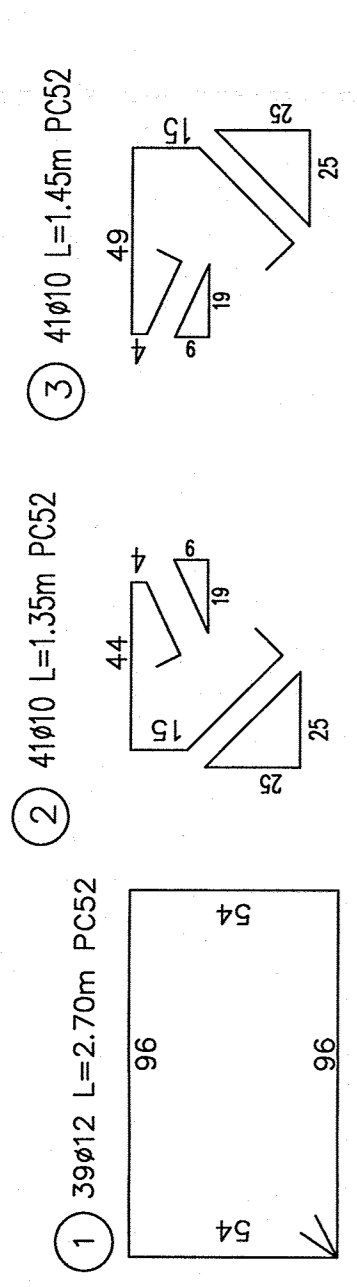
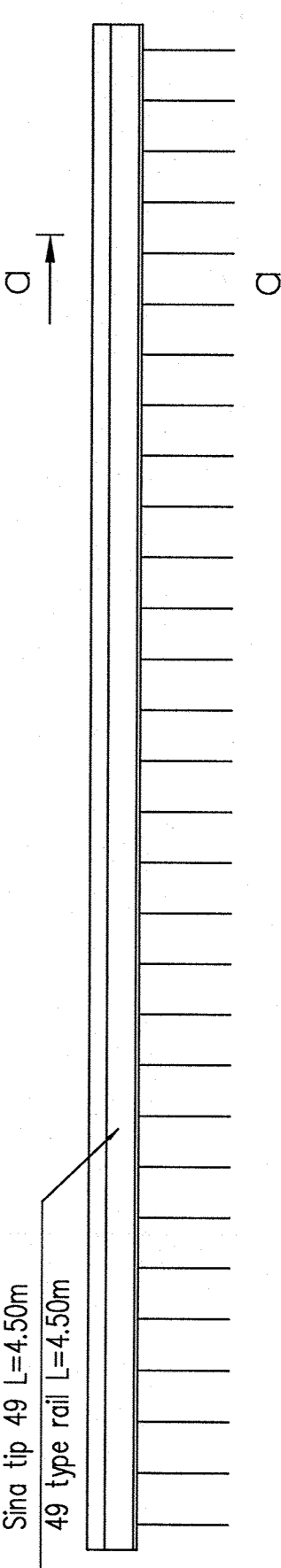
SECTIUNE TRANSVERSALA C-C
C-C SECTION CROSS SECTION
Sc 1:25



VEDERE IN PLAN D-D
D-D PLAN VIEW
Sc 1:25

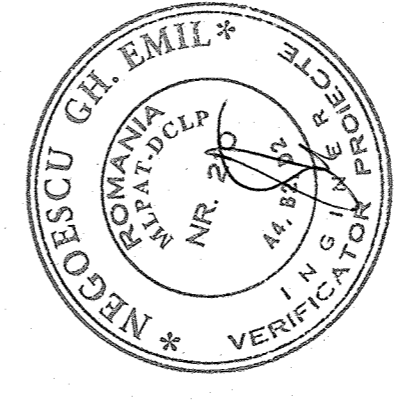


SECTIUNE a-a/
a-a SECTION



EXTRAS DE ARMATURA PENTRU O CULEE
REINFORCEMENT FOR ONE ABUTMENT

MARCA PIECE	NR. PIECE/ PCS.	L/BUIC. LENGTH/ PIECE	LUNGIMI PE DIAMETRU/LENGTH PER DIAMETRE				
			ø10	ø12	ø14	ø16	
	1	12	39	2.70			
	2	10	41	1.35	55.35		
	3	10	41	1.45	59.45		
	4	10	30	1.05	31.50		
	5	10	120	0.85	102.00		
	6	10	10	4.60	46.00	23.60	
	7	20	4	5.90			
	8	16	20	5.85			
	9	14	24	5.85			
	10	12	12	2.10	25.20		
	11	12	39	2.05	79.95		
	11a	12	2	2.10	4.20		
	12	12	57	2.00	114.00		
	12a	12	2	2.00	4.00		
	13	12	6	5.75	34.50		
	13a	12	6	5.60	33.60		
	14	12	6	2.60	15.60		
	14a	12	6	2.30	13.80		
	15	12	31	1.80	55.80		
	16	12	41	1.10	45.10		
	17	12	7	5.45	38.15		
	17a	12	4	5.80	23.20		
	18	12	10	2.10	21.00		
	19	12	6	2.25	13.50		
	20	12	4	0.75	3.00		
	21	12	10	2.60	26.00		
Lungimi pe diametre (m)			294.30	655.90	140.40	117.00	23.60
Greutati pe m (kg/m)			0.617	0.888	1.209	1.578	2.465
Greutati pe diametre(kg)			181.58	582.44	168.74	184.63	58.18
TOTAL L (kg)							1176.57 kg
							rect.1200 kg



Se interzice copierea, difuzarea, imprumutarea sau utilizarea in alte scopuri, fara permisiunea
ISPC-SA ca proprietar al desenului.
This drawing is forbidden to be copied, lent or used in other purposes than those previously
approved by ISPC-SA as its owner.

Contract / Contractant: AUTORITATEA CONTRACTANTA / CONTRACTING AUTHORITY
Beneficiar / Beneficiary: ROMANIA RAILWAY NATIONAL COMPANY
Proiect / Project: PORTUL DE PROIECTIE PANE CESTI SI PANE CESTI 2008 PORTUL
Lot / Lot: LOT 1
Scara / Scale: 1:20
Data / Date: 05.2009
Desenat / Drawn: Ing. M. Sarach
Verificat / Checked: Ing. Ion Dacin
Sursa / Source: PROF. CONSTITUTIONAL VALERIU ALBULESCU, REVISED.